

primus

laundry equipment

Xtreme
in innovation

Industrial Cylinder Heated Drying Ironers

I 80, IR 80, IF 80, IFF 80



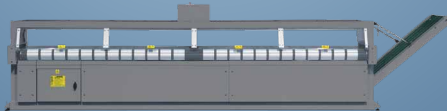
FEATURES

- Large surface contact with linen
- Finger protection and emergency button for more safety
- Automatic cooldown
- MCX- Easy to operate microprocessor
- Overdimensioned fan for flexible installation
- Indication of ironing speed and temperature
- Reverse mode possible
- Frequency controlled motor
- Space saving installation against the wall is possible: front return
- Electric, gas or steam heating
- OCS – Overheating check system

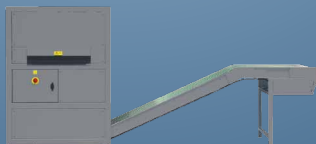
OPTIONS

- Stop pedal

CROSSFOLDER



STACKER



OPTIONAL MODULES*

- Model IR80 – Frontal and rear output
- Model IF80 – module R with length folding
- Model IFF 80 – ironer with feeding and length folding
- Module CS – cross folder and stacker

* Optional modules can be retrofitted to existing I80 ironers



ROBUST DESIGN

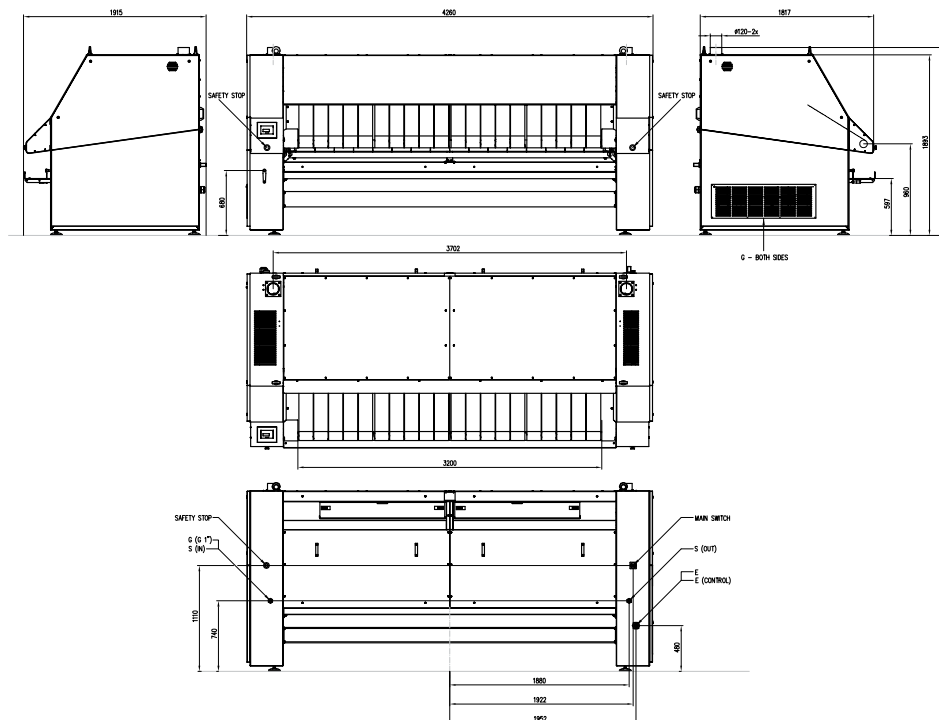


HIGH OUTPUT



MODULAR SYSTEM

TYPE		I 80-320
ROLLER DIAMETER	mm	800
USEFUL ROLLER LENGHT	mm	3200
HEATING		
Electric heating	kW	75
Gas heating*	kW	110
Steam heating	kg/h	190
MOTOR		
Roller motor	kW	0,75
Fan motor	kW	2x 0,55/0,75 (50/60Hz)
Fan capacity	m ³ /h	2 x 1300
IRONING CAPACITY**	kg/h	195
ROLLER SPEED	m/min.	3-15
ELECTRIC CONNECTION		380-415V 3AC + N 50/60Hz 208-240V 3AC 50/60Hz 380-415/440V 3AC (-N) 50/60Hz 440V 3 AC 60Hz
DIMENSIONS HxWxD	mm	1970x4260x1915
TRANSPORT DATA		
Net weight	kg	2610 - E1, 2480 - G, 2900 - S
Volume (crate packed)	m ³	18,95
Crate packing HxWxD	mm	2080x4380x2080
* G20, 20 mbar		
** According to ISO 9398-1		



04-2015/541023

The company Primus preserves the right to change the machines and the specification in this leaflet at any time, without prior notice. Details and photographs are only for information and never binding.

www.primuslaundry.com

ISO 9001
ISO 14001
BUREAU VERITAS
Certification

