

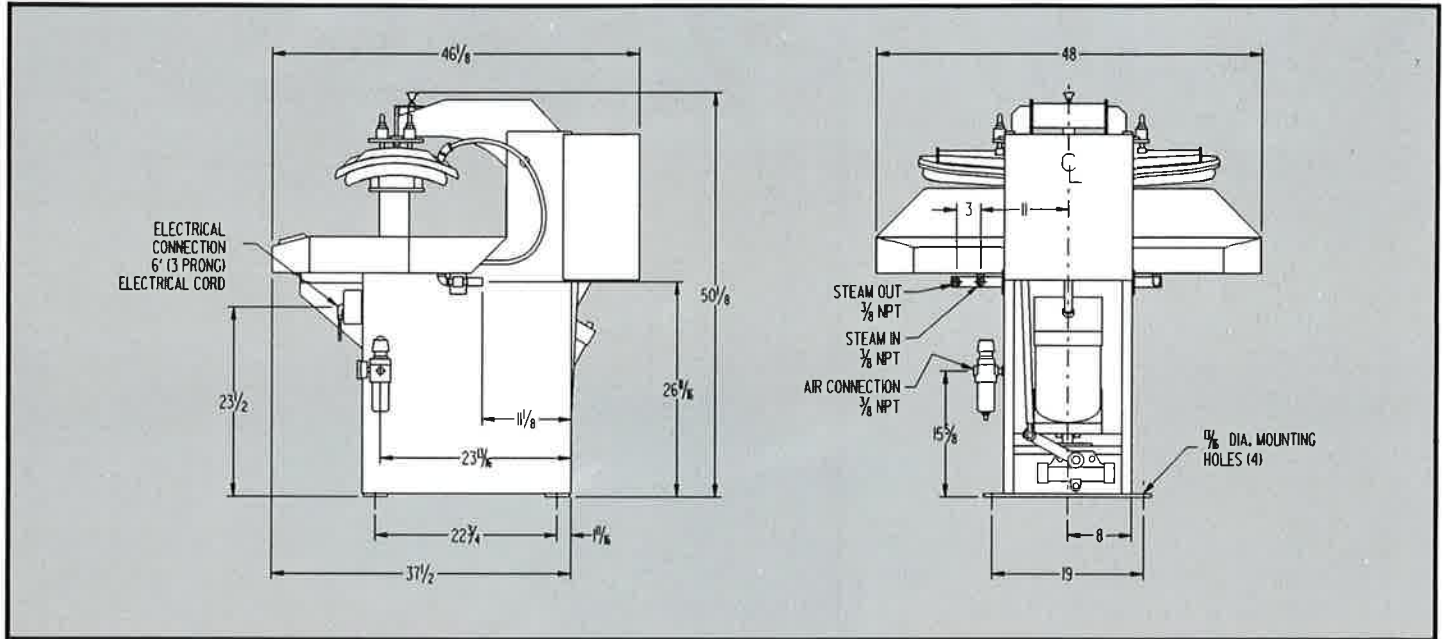
# UNIPRESS

## DTZ DOUBLE PANTS TOPPER

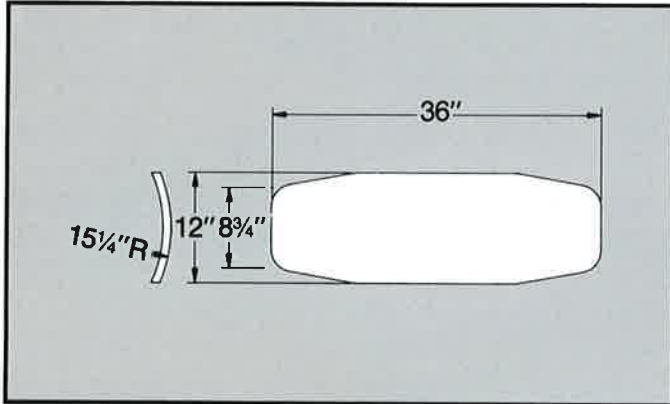


- *Smooth Operation*
- *Highly Polished Plated Head*
- *Microprocessor Controls with Self Diagnostics*
- *High Pressure Squeeze Cylinder*
- *Designed and Manufactured in USA*
- *Rugged Construction*
- *Two Hand Safety Controls*

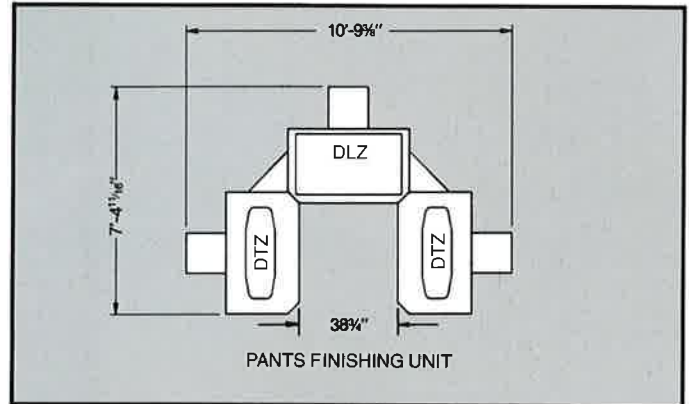
# DTZ TECHNICAL DATA



## BUCK DIMENSIONS



## LAYOUT



## SPECIFICATIONS

	DTZ
Overall Height	50 1/8"
Overall Length	46 1/8"
Overall Width	48"
Steam Inlet (1)	3/8" NPT
Steam Outlet (1)	3/8" NPT
Steam Supply	100-125 PSI
Boiler Horsepower Rating	3/4
Air Inlet	3/8" NPT
Air Consumption/Cycle	1 3/4 Cu. Ft.
Air Supply	85 PSI Min.
Electrical	115/1/60
Amperage	1/2 AMP
Net Weight	1,000 Lbs.

**Model DTZ**  
Double Pants  
Topper



Unipress reserves the right to alter or vary the specifications contained in this leaflet without notice. Drawings not to scale.

# UNIPRESS

3501 Queen Palm Drive Tampa, Florida 33619

Telephone (813) 623-3731 FAX (813) 626-2565

www.unipresscorp.com