

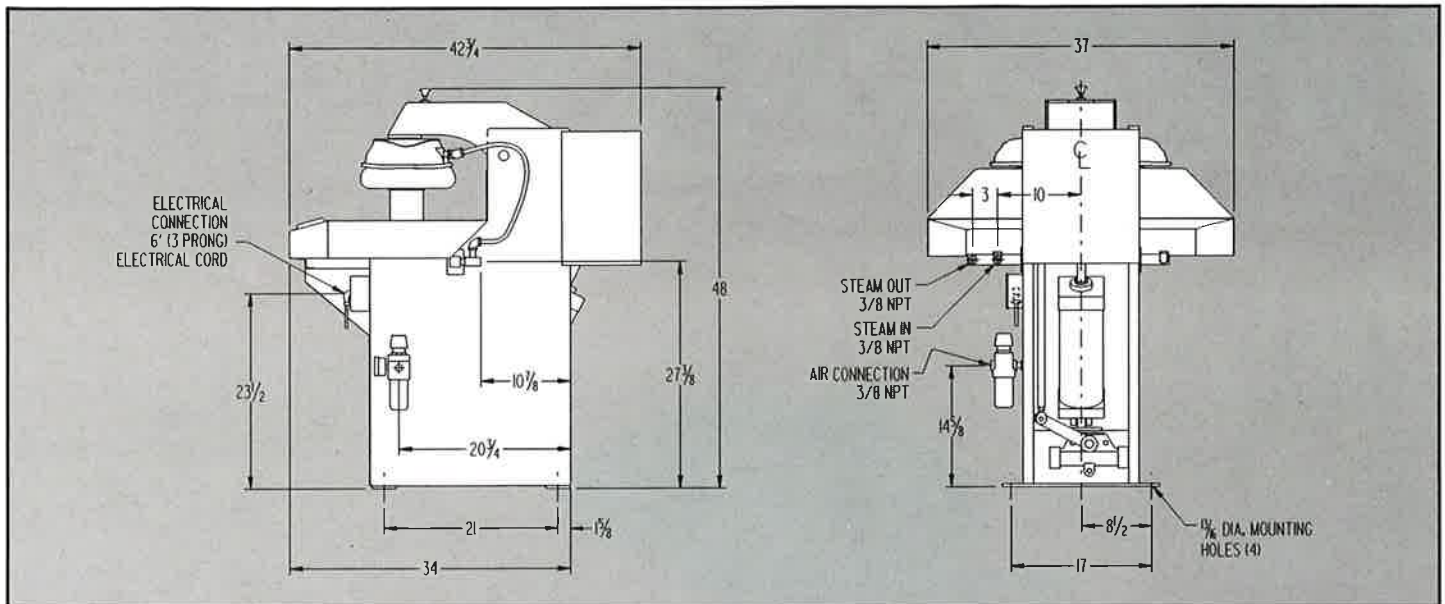
UNIPRESS

FMT MUSHROOM TOPPER

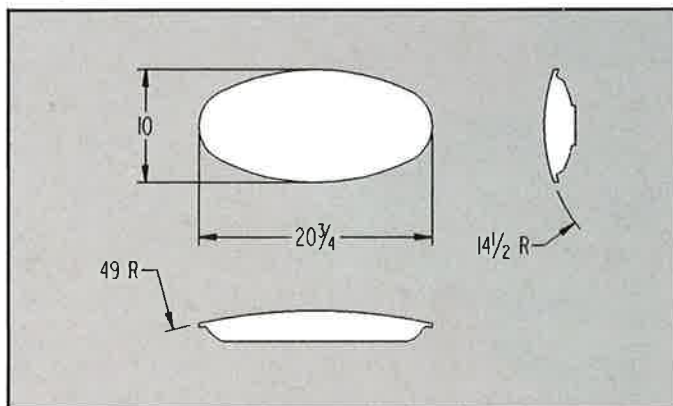


- *Highly Polished Plated Head*
- *Smooth Operation*
- *Microprocessor Controls with Self Diagnostics*
- *Single Cylinder Operation*
- *Designed and Manufactured in USA*
- *High Squeeze Pressure*
- *Rugged Construction*
- *Two Hand Safety Controls*

FMT TECHNICAL DATA



BUCK DIMENSIONS



Model FMT

For Use With

- SLZ
- WAZ
- LPZ



SPECIFICATIONS

	FMT
Overall Height	48"
Overall Length	42 3/4"
Overall Width	37"
Steam Inlet (1)	3/8" NPT
Steam Outlet (1)	3/8" NPT
Steam Supply	100-125 PSI
Boiler Horsepower	1/4
Air Inlet	3/8" NPT
Air Consumption/Cycle	1 Cu. Ft.
Air Supply	85 PSI
Electrical	115/1/60
Amperage	1/2 AMP
Net Weight	580 Lbs.

Unipress reserves the right to alter or vary the specifications contained in this leaflet without notice. Drawings not to scale.

UNIPRESS

3501 Queen Palm Drive Tampa, Florida 33619
 Telephone (813) 623-3731 FAX (813) 626-2565